

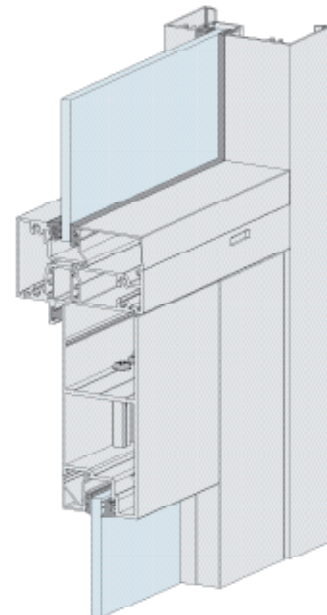


**Commercial Framing | Series 80**  
**Narrow Offset 80mm Framing**



**Key Features**

- Series 80 narrow shopfront framing is 80mm thick by 44mm wide with the glazing pocket offset, the product is ideal for internal partitioning as shown above.
- We have redesigned the glazing pocket area to get a truly captive glazing wedge feature. The advantages with our captive glazing wedge on one side are:
  - In elevated installations you can glaze and reglaze from one side, no need for scaffolding.
  - The captive wedge will resist vandalism in ground floor (arcade) installations.
  - The glazing wedges are recessed into the framing – this looks significantly better than surface wedges.
- Series 80 has a deep glazing pocket like Series 400, we want to get as much glass bite as possible. Some competitor products where the frame measures 75 x 35 have very shallow glass pockets and this leads to shallow glass bite.
- There are several custom designed extrusions to cater for specific applications.
  - Sub-sill included as we always recommend sub-sills under commercial framing.
  - Sub-head to allow for building settlement.
  - Hinged door threshold.
  - Nailing fin adaptor and a narrow frame for residential applications.
  - Awning sash inlay adaptor
  - Adjustable wall trims to suit internal applications.
- We have designed a couple of door systems to suit the framing. The main features with our doors are:
  - 50mm thick door that are significantly stronger than what most of our competitors offer. 44mm Doors struggle when doors are more than 2100mm high.
  - Besides the popular wrap around Series 50 door we offer a fully beaded Series 52 door. Series 50 will accept glass up to 10.38mm thick and Series 52 will accept glass from 4mm to 24mm.
- Commercial doors can make their way into residential applications and for these situations we have included true French meeting stiles for pairs of door where you want to keep water out. These French meeting stiles are completely flush (no projections) and will accept recess lock face plate and lock keeper.
- We have wide stiles for both doors.



Maximum Panel Height	Various
Maximum Panel Width	Various
Maximum Glass Thickness	≤ 20mm

*Subject to individual site conditions. Contact AWS Technical Support for information.*



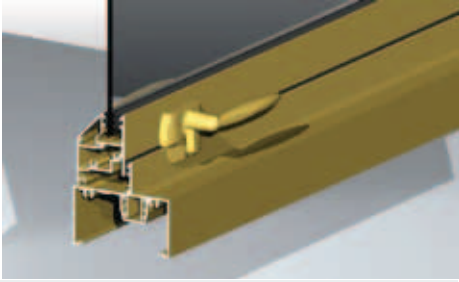
3D & 2D CAD FILES AVAILABLE



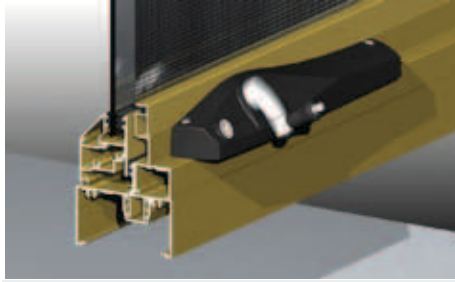
PRODUCT INFORMATION AVAILABLE AT  
[WWW.ELEVATEALUMINIUM.COM.AU](http://WWW.ELEVATEALUMINIUM.COM.AU)



SPECIFIER ASSISTANCE AVAILABLE



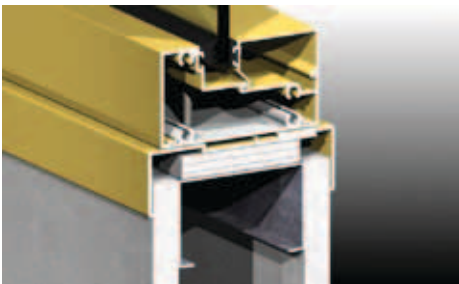
Awning sash inlay can be operated with cam handles, chain winders and concealed electric motors.



Can accept various types of awning sashes.



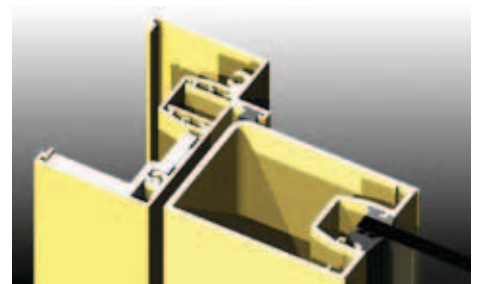
80 series maintains the same glazing line as 400 series framing, with a variety of jamb options.



80 series framing is also extremely well suited for high quality internal partitioning.



Can accept all types of commercial hinged doors.



80 series utilises hinge backing plates for secure fixing.